

CURVED METAL-POLYMER DUAL-MODE/FUNCTION OPTICAL AND ELECTRICAL INTERCONNECTS,
METHODS OF FABRICATION THEREOF, AND USES THEREOF

Inventor: Bakir et al.

Docket No.: 62020-1400

Page 1 of 10

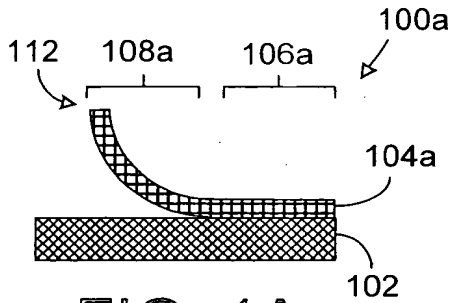


FIG. 1A

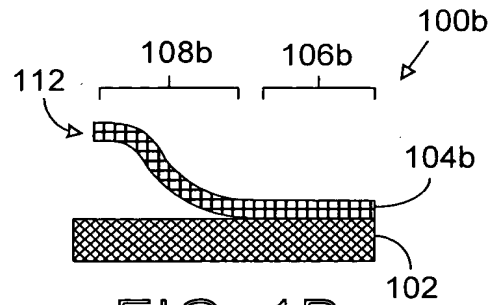


FIG. 1B

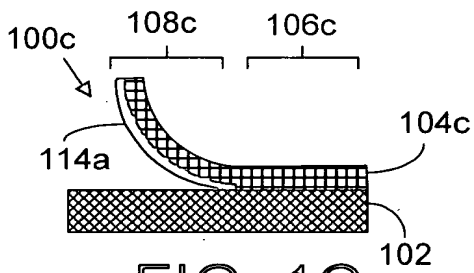


FIG. 1C

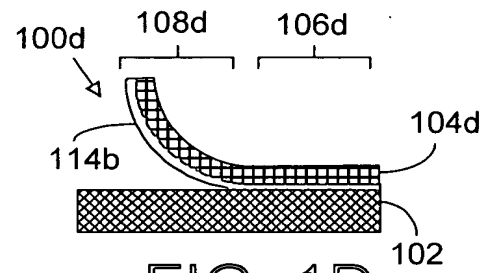


FIG. 1D

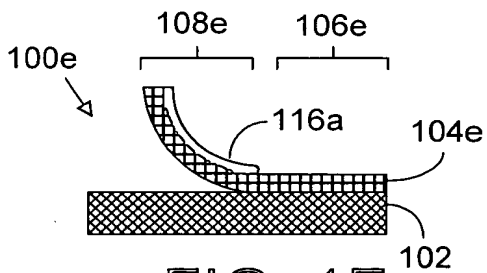


FIG. 1E

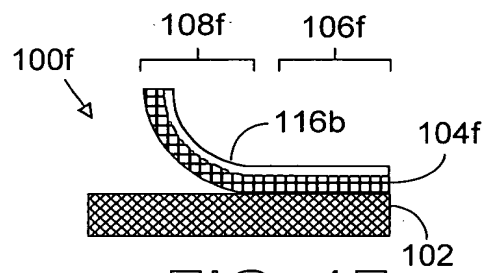


FIG. 1F

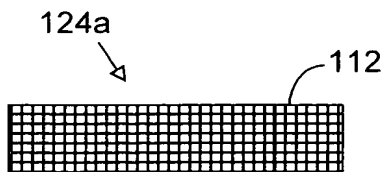


FIG. 2A

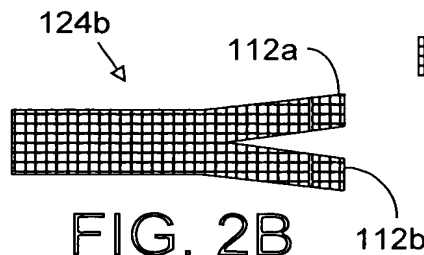


FIG. 2B

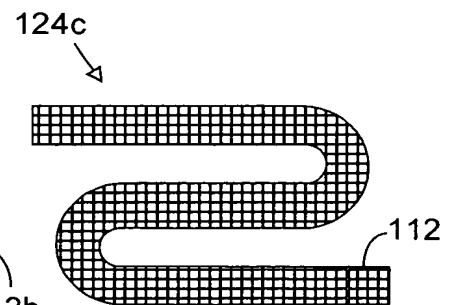


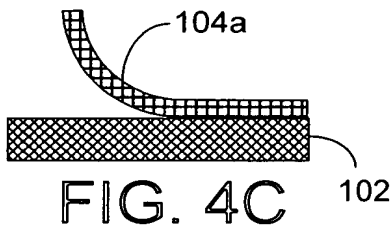
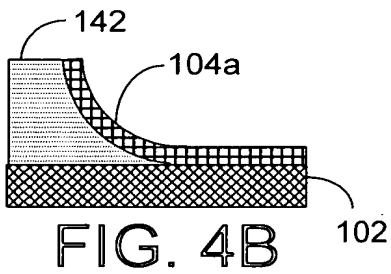
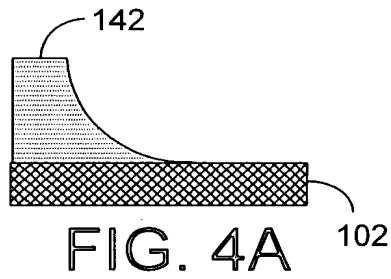
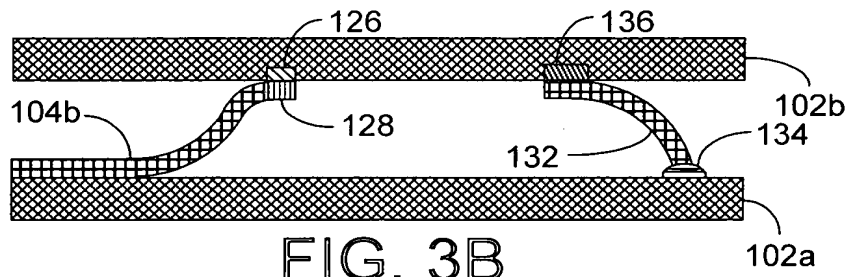
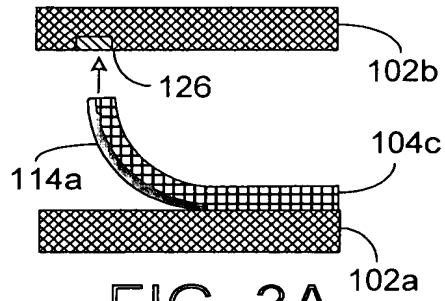
FIG. 2C

CURVED METAL-POLYMER DUAL-MODE/FUNCTION OPTICAL AND ELECTRICAL INTERCONNECTS,
METHODS OF FABRICATION THEREOF, AND USES THEREOF

Inventor: Bakir et al.

Docket No.: 62020-1400

Page 2 of 10



CURVED METAL-POLYMER DUAL-MODE/FUNCTION OPTICAL AND ELECTRICAL INTERCONNECTS,
METHODS OF FABRICATION THEREOF, AND USES THEREOF

Inventor: Bakir et al.

Docket No.: 62020-1400

Page 3 of 10



FIG. 5A



FIG. 6A

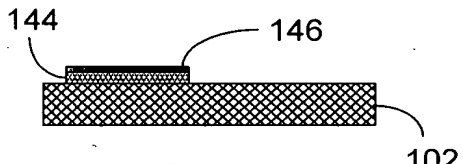


FIG. 5B

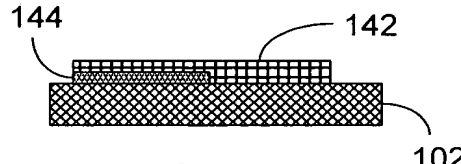


FIG. 6B

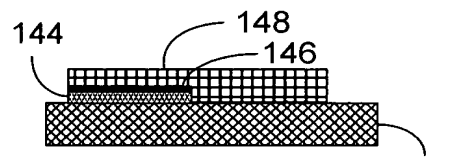


FIG. 5C

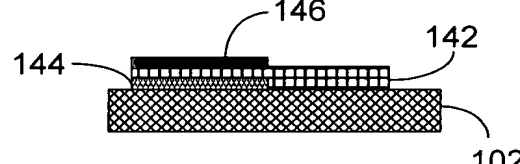


FIG. 6C

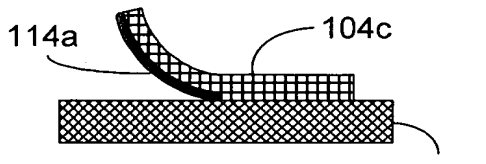


FIG. 5D

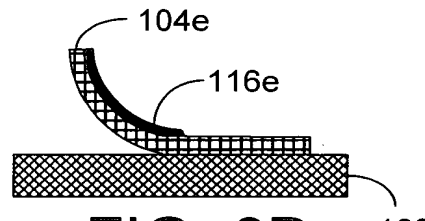


FIG. 6D

CURVED METAL-POLYMER DUAL-MODE/FUNCTION OPTICAL AND ELECTRICAL INTERCONNECTS,
METHODS OF FABRICATION THEREOF, AND USES THEREOF

Inventor: Bakir et al.

Docket No.: 62020-1400

Page 4 of 10

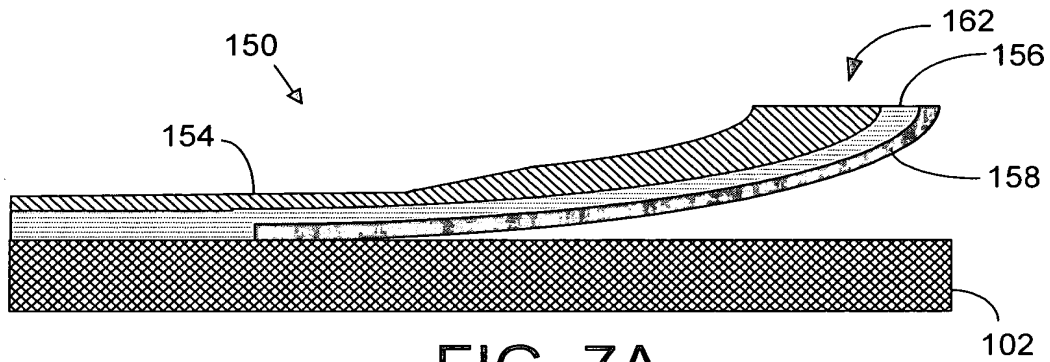


FIG. 7A

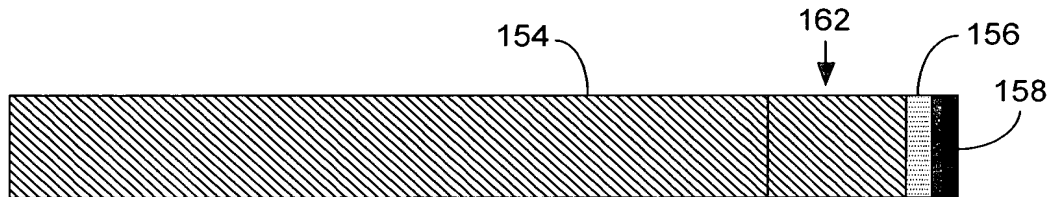


FIG. 7B

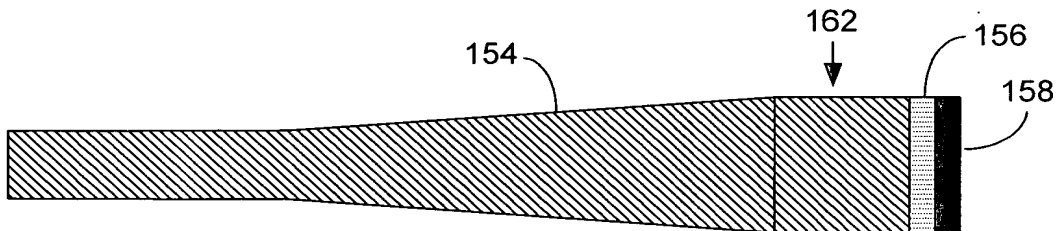


FIG. 7C

CURVED METAL-POLYMER DUAL-MODE/FUNCTION OPTICAL AND ELECTRICAL INTERCONNECTS,
METHODS OF FABRICATION THEREOF, AND USES THEREOF

Inventor: Bakir et al.

Docket No.: 62020-1400

Page 5 of 10

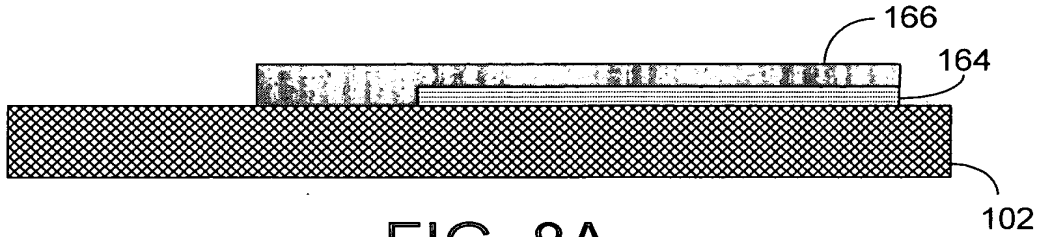


FIG. 8A

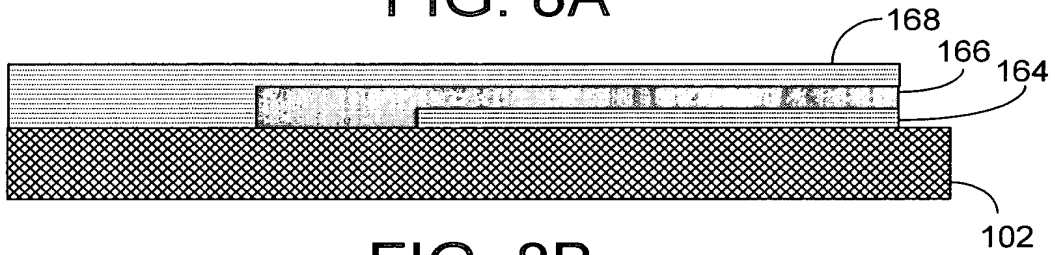


FIG. 8B

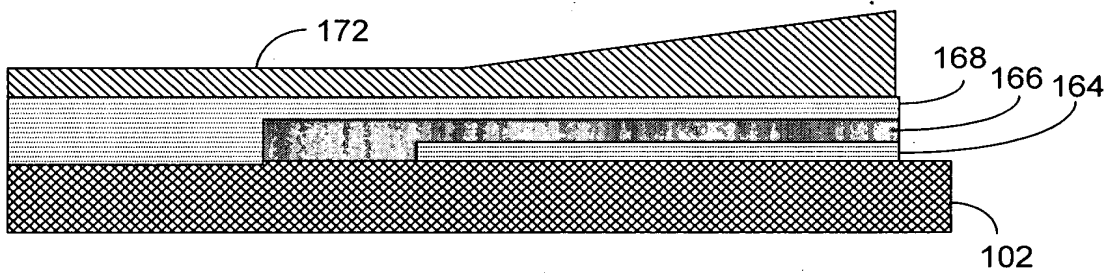


FIG. 8C

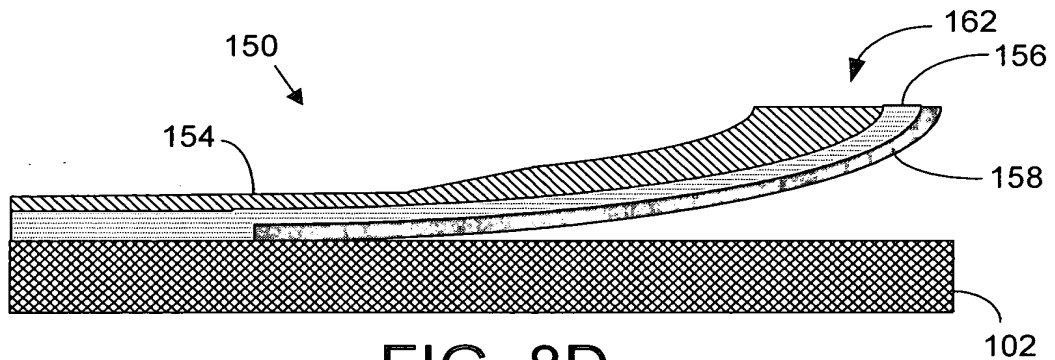


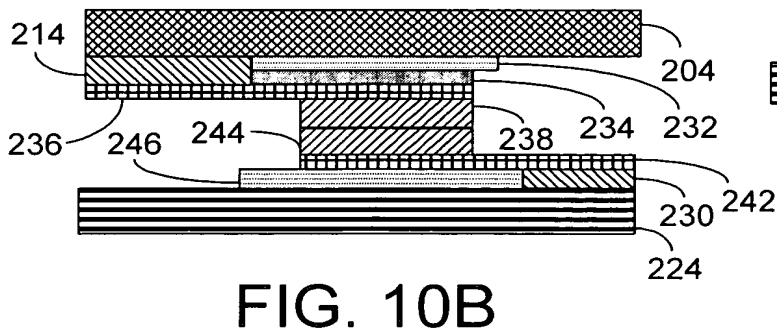
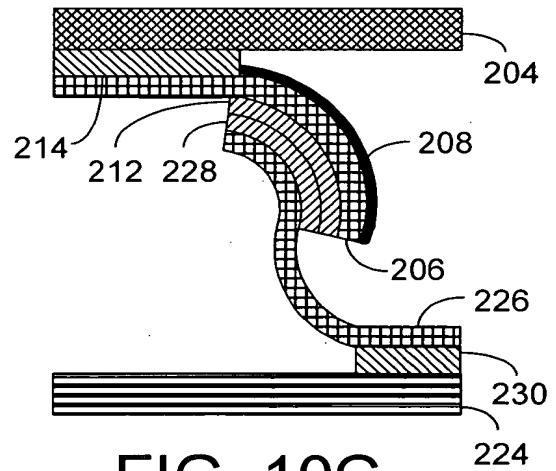
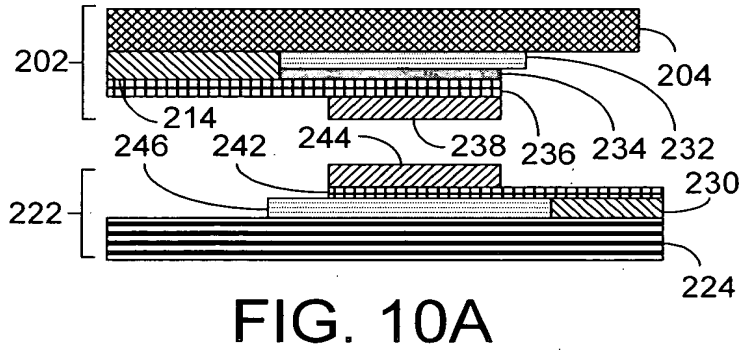
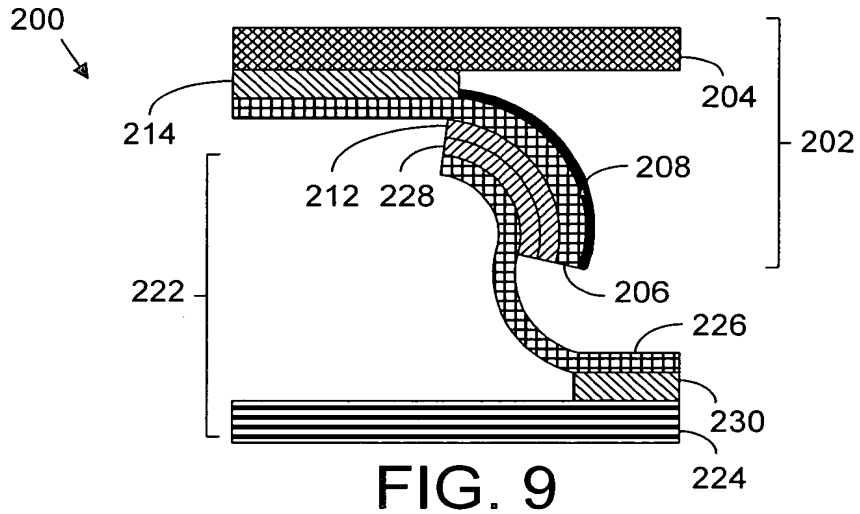
FIG. 8D

CURVED METAL-POLYMER DUAL-MODE/FUNCTION OPTICAL AND ELECTRICAL INTERCONNECTS,
METHODS OF FABRICATION THEREOF, AND USES THEREOF

Inventor: Bakir et al.

Docket No.: 62020-1400

Page 6 of 10



CURVED METAL-POLYMER DUAL-MODE/FUNCTION OPTICAL AND ELECTRICAL INTERCONNECTS,
METHODS OF FABRICATION THEREOF, AND USES THEREOF

Inventor: Bakir et al.

Docket No.: 62020-1400

Page 7 of 10

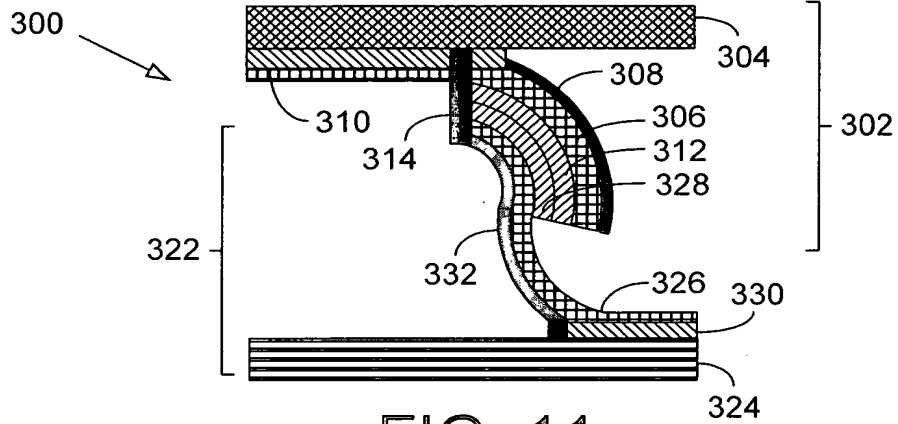


FIG. 11

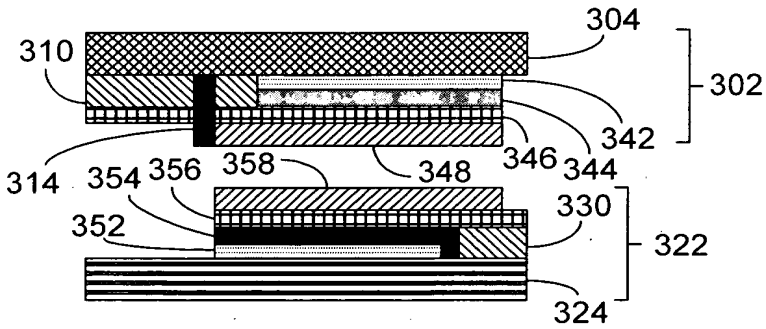


FIG. 12A

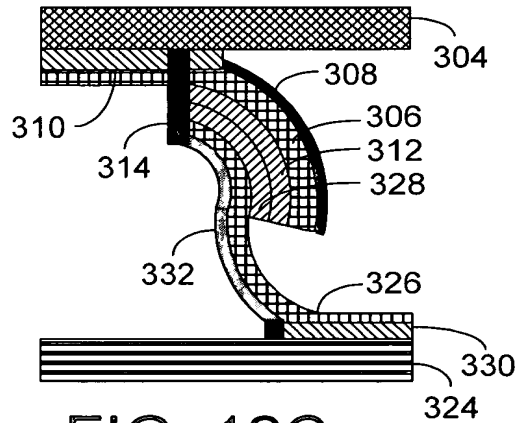


FIG. 12C

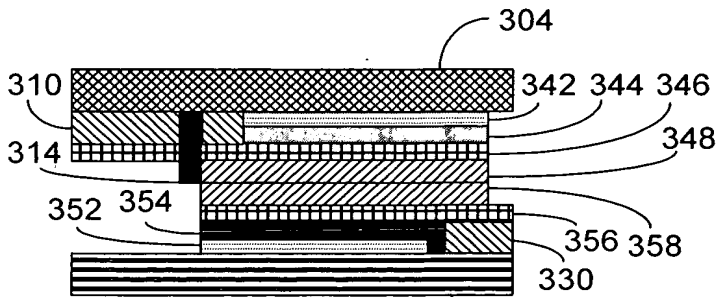


FIG. 12B

CURVED METAL-POLYMER DUAL-MODE/FUNCTION OPTICAL AND ELECTRICAL INTERCONNECTS,
METHODS OF FABRICATION THEREOF, AND USES THEREOF

Inventor: Bakir et al.

Docket No.: 62020-1400

Page 8 of 10

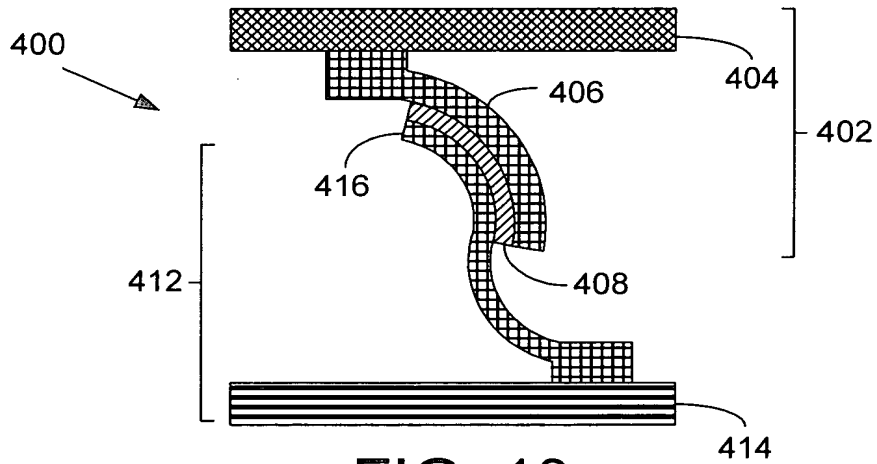


FIG. 13

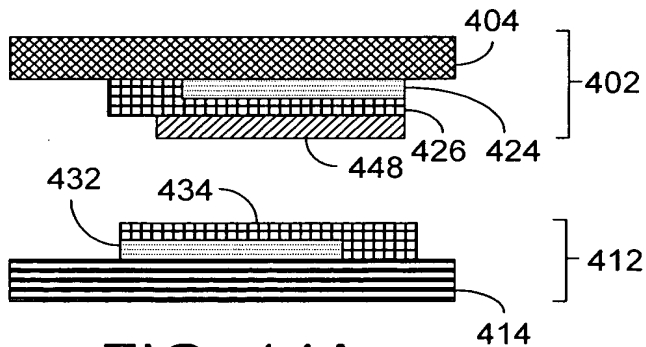


FIG. 14A

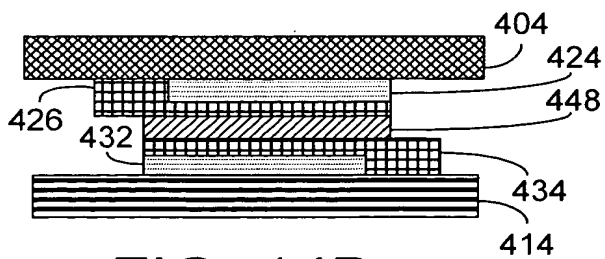


FIG. 14B

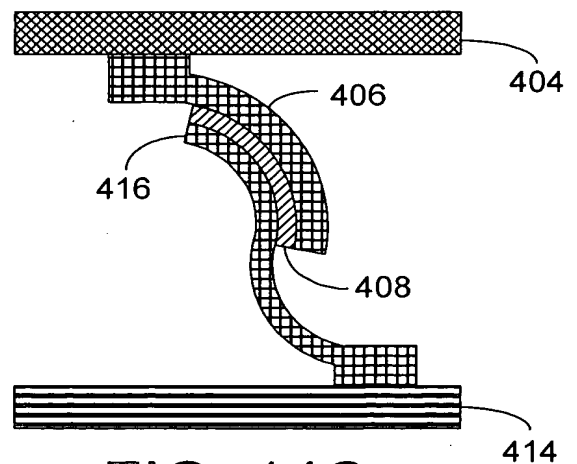


FIG. 14C

**CURVED METAL-POLYMER DUAL-MODE/FUNCTION OPTICAL AND ELECTRICAL INTERCONNECTS,
METHODS OF FABRICATION THEREOF, AND USES THEREOF**

Inventor: Bakir et al.

Docket No.: 62020-1400

Page 9 of 10

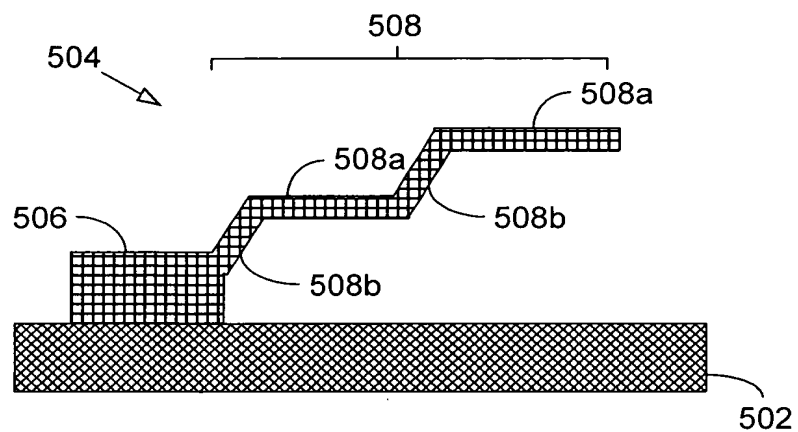


FIG. 15

CURVED METAL-POLYMER DUAL-MODE/FUNCTION OPTICAL AND ELECTRICAL INTERCONNECTS,
METHODS OF FABRICATION THEREOF, AND USES THEREOF

Inventor: Bakir et al.

Docket No.: 62020-1400

Page 10 of 10

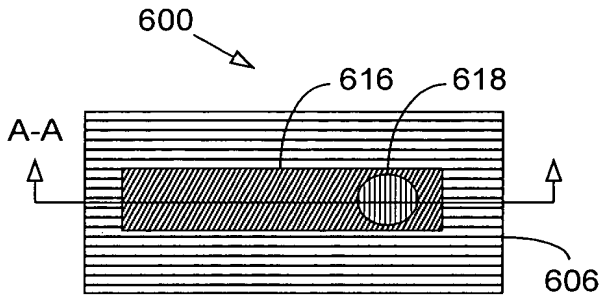


FIG. 16A

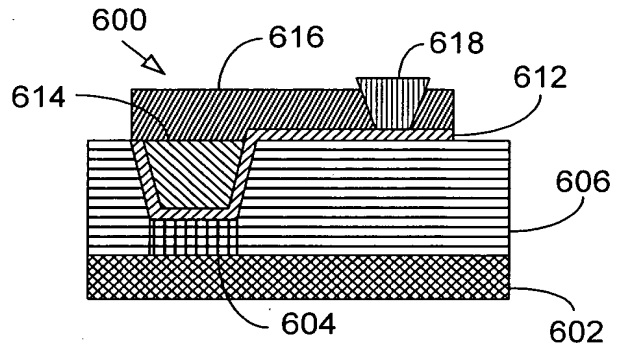


FIG. 16B

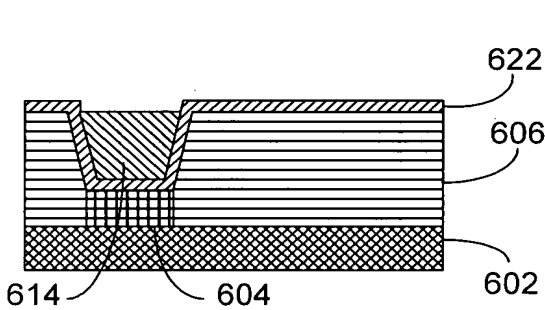


FIG. 17A

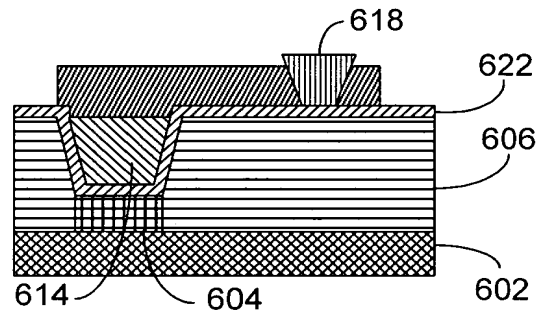


FIG. 17D

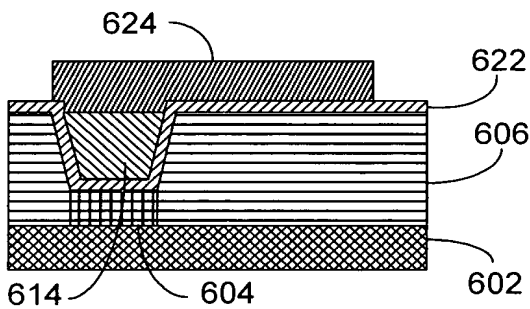


FIG. 17B

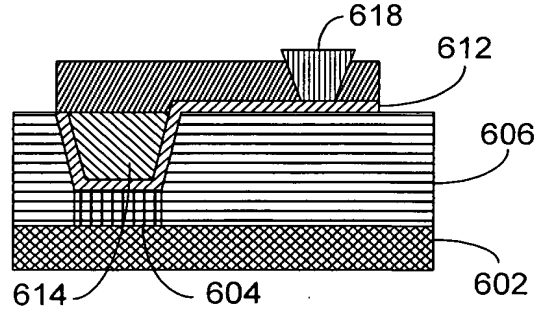


FIG. 17E

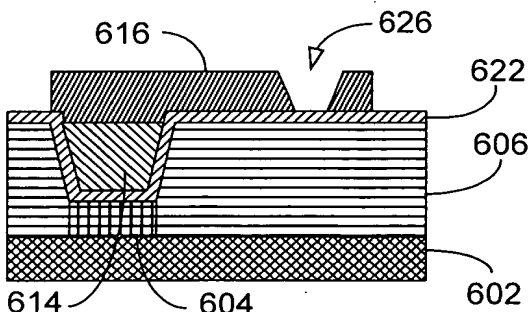


FIG. 17C